

Video

Audio

Data



Ethernet

Ethernet Transmission

The OTS-3ETR provides for the digital transmission of 3 Channels of 10/100 Ethernet.

System Design

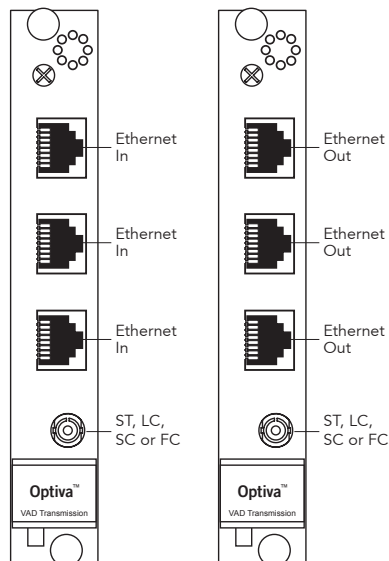
All units come in an insert card version. The cards can be inserted into our 16-slot, 19" rack-mountable card cage (CC-16-100) or one of our smaller Optiva™ Desktop Card Racks (DTCR Series).

The Desktop Card Racks can handle one, two or four insert cards, creating compact, mountable, stand alone systems. The use of separate DTCR enclosures allows for future flexibility and expansion as all cards are hot-swappable and can be used in any enclosure. Each one of our card housing units operate with an appropriate power supply specification.

Optiva™ Upgrade Path

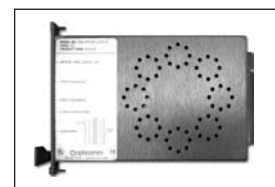
This system can be purchased without an optical port as an add-on to an existing Optiva™ system daisy-chain. (See "Non-Optical Version" below).

The Optiva™ bandwidth requirement of this system is 345 Mbps.



OTS-3ETR

OTS-3ETR



Each insert card comes with a label identifying the specific protocols handled, connector pin-out and other vital information.

For optimal bandwidth allocation, each insert card can daisy-chain with an additional card in the same chassis.

See "Optiva™ Upgrade Path".

Features

- Uncompressed 10/100 Ethernet over one fiber
- TDM - Single fiber, dual wavelength
- True DC restoration
- Flat frequency response
- Compatible with MDM-7000 Series for WDM and CWDM multiplexing
- No EMI or RFI and no ground loops
- Stand alone or rack-mount

Versions Available*

Wavelength (nm) & Fiber	Transmit/Receive**	Receive/Transmit**	Optical Connector	Optical Budget (dB)	Range*** (km)	Form Factor
1310/1550 Multimode	OTS-3ETR-A2/A3M-XX-IC	OTS-3ETR-A3M/A2-XX-IC	ST, FC, LC or SC	10	3	IC (1-slot)
1310/1550 Singlemode	OTS-3ETR-A2/A3-XX-IC	OTS-3ETR-A3/A2-XX-IC	ST, FC, LC or SC	14	20	IC (1-slot)
1310/1550 SM (D)	OTS-3ETR-A2/A3D-XX-IC	OTS-3ETR-A3D/A2-XX-IC	ST, FC, LC or SC	21	40	IC (1-slot)
1270-1610 SM (CWDM)	OTS-3ETR-L4/L4-XX-IC	OTS-3ETR-L4/L4-XX-IC	ST, FC, LC or SC	Varies	20-70	IC (1-slot)
Non-Optical Version	OTS-3ETR-NOC-IC	OTS-3ETR-NOC-IC	N/A	N/A	N/A	IC (1-slot)

* Contact Opticomm for other versions available.

** XX indicates the type of optical connector. Each of ST, FC, LC or SC are available.

*** Chromatic dispersion and additional losses should be taken into account.

NOTE: The systems in this category offer transmission of certain signals in set configurations. If your application involves multi-signal transmission and/or would benefit from system upgradeability, please visit the Optiva™ Platform section on page 14. To configure an Optiva™ system to your precise needs, please register for the 'Product Configurator' at www.opticomm.com

Data (Ethernet/Serial/USB)

Data

Standard	Ethernet IEEE 802.3
Data Rate	10/100 Mbps
Connector	RJ-45

General

Dimensions & Weight	Insert Card (IC): 6.3" L x 0.8" W x 4.0" H 11 oz
Operating temperature	-20° C to +55° C
Storage temperature	-40° C to +85° C
Humidity	0 to 95% non-condensing
Operating voltage	9-12 V _{DC}
Consumption	1A Max per Insert Card
System Latency	Less than 1ms

Local Monitoring

LED Status Indication

Remote Monitoring

Compatible with OptivaView™
SNMP Management Suite

- Optiva™ Configurable Communication Platform
- Network Management
- SDI & HD-SDI
- Composite Video, Audio & Data
- RGB/VGA/DVI
- Audio/FSK/Intercom
- Data (Ethernet/Serial/USB)**
- CATV/RF & L-Band
- Optical Switching, Routing & Redundancy
- Passive Multiplexing Solutions
- Enclosures, Racks & Frames
- Power Supplies & Accessories

10 **ISO**
YEAR **9001:2000**
WARRANTY **CERTIFIED**



FCC PART 15
COMPLIANT

Emissions: FCC Part 15, ICES-003, AS/NZS, 3548, EN55022
Immunity: ENVS0204, EN61000-4-2,3,4,5,6,11
Safety: UL1950, CAN/CSA 22.2, NO.950-95

MADE IN THE USA

Sample Configuration

