

4 →

Video

8 →

Audio

Data

Composite Video and Audio Transmission

The OTS-4V8A provides for the digital transmission of 4 Channels of Composite Video and 8 Channels of Analog Audio.

System Design

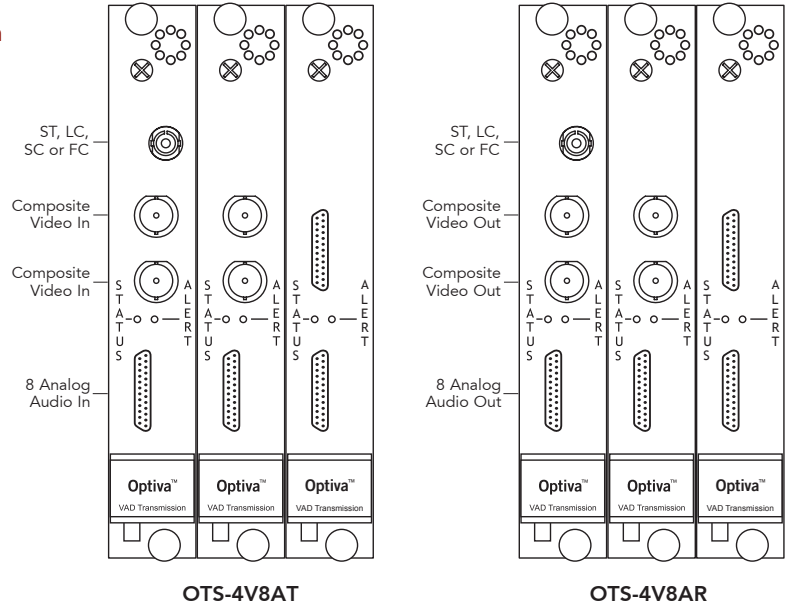
All units come in an insert card version. The cards can be inserted into our 16-slot, 19" rack-mountable card cage (CC-16-100) or one of our smaller Optiva™ Desktop Card Racks (DTCR Series).

The Desktop Card Racks can handle one, two or four insert cards, creating compact, mountable, stand alone systems. The use of separate DTCR enclosures allows for future flexibility and expansion as all cards are hot-swappable and can be used in any enclosure. Each one of our card housing units operate with an appropriate power supply. See "Accessories" for power supply specifications.

Optiva™ Upgrade Path

This system can be purchased without an optical port as an add-on to an existing Optiva™ system daisy-chain. (See "Non-Optical Version" below).

The Optiva™ bandwidth requirement of this system is 1264 Mbps.



Features

- Composite Video and Analog Audio over one fiber
- TDM - Single Wavelength
- True DC restoration
- Flat frequency response
- Complies with SMPTE Standards
- Compatible with MDM-7000 Series for WDM and CWDM multiplexing
- No EMI or RFI and no ground loops
- Stand alone or rack-mount
- Ideal for Professional AV applications

Versions Available*

Wavelength (nm) & Fiber	Transmit**	Receive**	Optical Connector	Optical Budget (dB)	Range*** (km)	Form Factor
1310 Multimode	OTS-4V8AT-B1-XX-IC	OTS-4V8AR-B1-XX-IC	ST, FC, LC or SC	10	1.5	IC (3-slots)
1310 Singlemode	OTS-4V8AT-B2-XX-IC	OTS-4V8AR-B2-XX-IC	ST, FC, LC or SC	7	10	IC (3-slots)
1310 Singlemode (D)	OTS-4V8AT-B2D-XX-IC	OTS-4V8AR-B2D-XX-IC	ST, FC, LC or SC	14	20	IC (3-slots)
1550 Singlemode	OTS-4V8AT-B3-XX-IC	OTS-4V8AR-B3-XX-IC	ST, FC, LC or SC	17	40	IC (3-slots)
1550 Singlemode (D)	OTS-4V8AT-B3D-XX-IC	OTS-4V8AR-B3D-XX-IC	ST, FC, LC or SC	25	60	IC (3-slots)
1270-1610 SM (CWDM)	OTS-4V8AT-L4-XX-IC	OTS-4V8AR-L4-XX-IC	ST, FC, LC or SC	Varies	20-70	IC (3-slots)
Non-Optical Version	OTS-4V8AT-NOC-IC	OTS-4V8AR-NOC-IC	N/A	N/A	N/A	IC (3-slots)

Analog Audio Codes - To indicate your Analog Audio impedance preference, please use the following instead of "A" in the model number: "AB" = Input Balanced 600 Ohm, Output Balanced 600 Ohm; "ABH" = Input Balanced Hi-Z, Output Balanced Low-Z; and "AUH" = Input Unbalanced Hi-Z, Output Unbalanced Low-Z.

* Contact Opticomm for other versions available.

** XX indicates the type of optical connector. Each of ST, FC, LC or SC are available.

*** Chromatic dispersion and additional losses should be taken into account.

NOTE: The systems in this category offer transmission of certain signals in set configurations. If your application involves multi-signal transmission and/or would benefit from system upgradeability, please visit the Optiva™ Platform section on page 14. To configure an Optiva™ system to your precise needs, please register for the 'Product Configurator' at www.opticomm.com

Composite Video, Audio & Data

Video

Standard	SMPTE 170M; Exceeds RS-250C Short Haul	
Bit Resolution	10-Bit Processing; 10-Bit Transmission	
Level	1.0 Volt p-p	
Bandwidth	9 MHz	
Differential Gain	<2%	
Differential Phase	<0.7%	
Compatibility	NTSC, PAL, SECAM	
Signal to Noise Ratio	>67 dB	
Connector	BNC (IEC 60169-8)	

Analog Audio

Level	6 dBm In/Out	Impedance Options:	
Bandwidth	20 Hz to 20 KHz	Input	Output
Signal to Noise Ratio	> 80 dB	Balanced 600 Ohm	Balanced 600 Ohm
Total Harmonic Distortion	< 0.1%	Balanced Hi-Z	Balanced Low-Z
Signal Coding	20-bit	Unbalanced Hi-Z	Unbalanced Low-Z
Connector	Micro DB25		

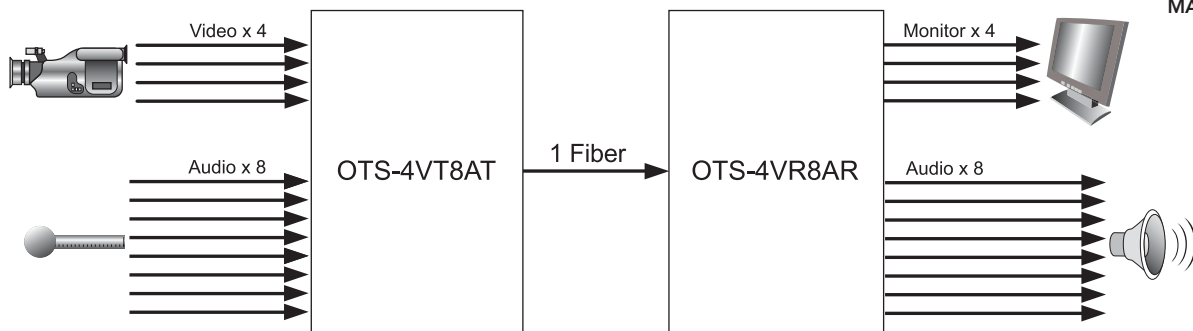
General

Dimensions & Weight	Insert Card (IC): 6.3" L x 0.8" W x 4.0" H 11 oz
Operating temperature	-20° C to +55° C
Storage temperature	-40° C to +85° C
Humidity	0 to 95% non-condensing
Operating voltage	9-12 V _{DC}
Consumption	1A Max per Insert Card
System Latency	Less than 1ms

Local Monitoring LED Status Indication

Remote Monitoring Compatible with OptivaView™
SNMP Management Suite

Sample Configuration



Optiva™ Configurable
Communication Platform

Network Management

SDI & HD-SDI

Composite Video,
Audio & Data

RGB/VGA/DVI

Audio/FSK/Intercom

Data (Ethernet/Serial/USB)

CATV/RF & L-Band

Optical Switching, Routing
& Redundancy

Passive Multiplexing
Solutions

Enclosures, Racks
& Frames

Power Supplies
& Accessories

10 **ISO**
YEAR **9001:2000**
WARRANTY **CERTIFIED**



FCC PART 15
COMPLIANT

Emissions: FCC Part 15, ICES-003,
AS/NZS, 3548, EN55022
Immunity: ENVS0204,
EN61000-4-2,3,4,5,6,11
Safety: UL1950, CAN/CSA 22.2,
NO.950-95

MADE IN THE USA