

VideoEase Component Video Hub

Overview

The VideoEase Component Video Hub allows one (1) full component video (YPbPr/RGB) source and one (1) digital audio video source to be distributed up to eight (8) or sixteen (16) destinations depending on the model for more cost-efficient cabling. The 500250 supports up to eight (8) ports. The 500252 supports up to sixteen (16) ports. The hub works in conjunction with the 500050 and other MuxLab baluns that support component video and digital audio.

Applications

Digital signage, boardroom systems, residential and commercial multi-display systems, classroom training, retail systems, electronic billboards, electronic signs, video kiosks, point-of-sale displays, in-store video.

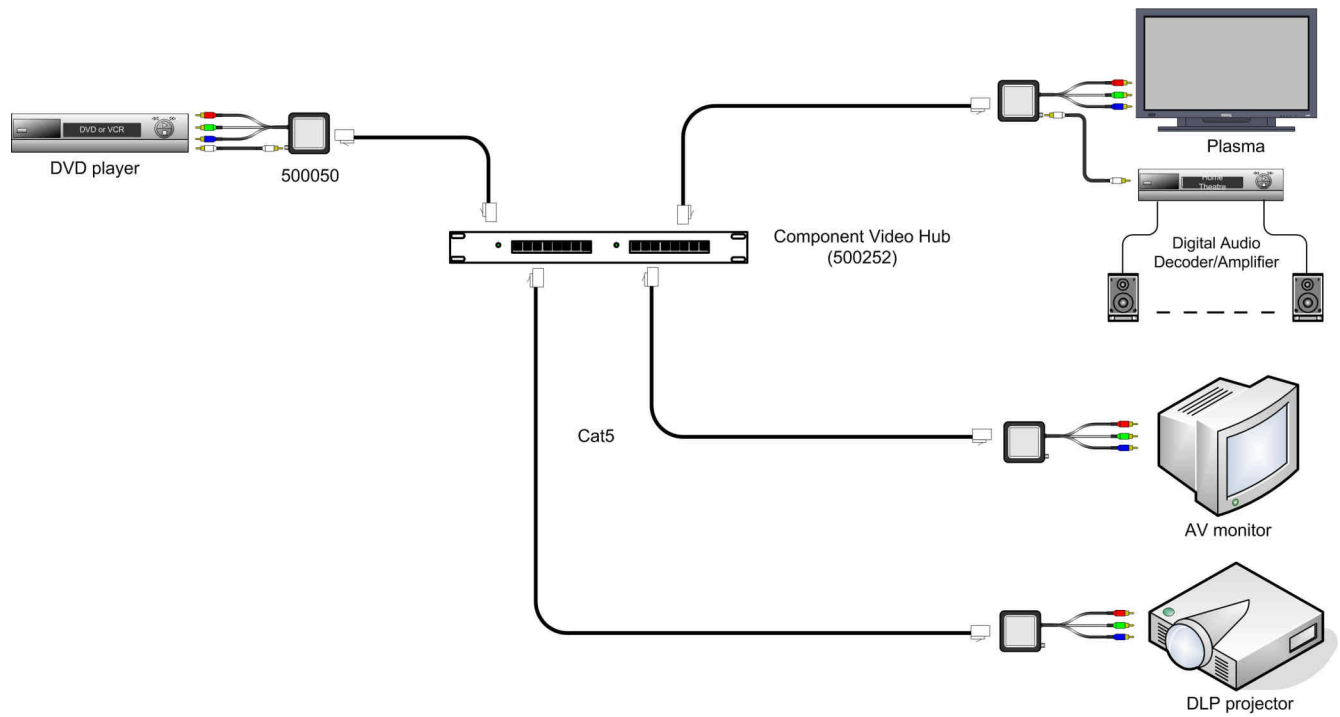


Features

- Modular RJ45 on input and output
- Cascadable up to two (2) levels
- Supports 480i/p up to 1,000 ft (305m) via Cat5
- Supports 720p/1080i/p up to 500 ft (152m) via Cat5
- Supports digital audio on fourth twisted pair
- Ground loop isolation on every port
- Integrates seamlessly with MuxLab baluns.

| Specifications | |
|--|---|
| Environment | Component baseband video (YPbPr/RGB) and Digital Audio |
| Devices | DVD players, DVR, AV matrix switchers, DLP projectors, plasmas, monitors, home theatre. |
| Transmission | Transparent to the user. |
| 3 dB Bandwidth | Video: DC to 77 MHz. Digital Audio: DC to 52MHz |
| Insertion Loss (differential) | Video: -0.8 dB @ 4 MHz Digital Audio: -1.26 dB @ 4 MHz. |
| Video Return Loss | -23dB @ 4 MHz. |
| Common Mode Rejection Input: balanced. Output: balanced | Video: Greater than 40 dB over the frequency range. Digital Audio: Greater than 31.5 dB over the frequency range |
| Crosstalk Immunity | -60 dB @ 4 MHz |
| Max. Distance via Cat 5 Twisted Pair (UTP)* | Component Video (YPbPr): 480i/p: 1,000 ft (305m) * 720p and 1080i: 500 ft (152m) * Digital Audio: 600 ft (182m) * <i>*Measured between Source (ie;DVD) and Destination (ie;Monitor) with Hub placed anywhere between the source and destination</i> |
| Compatible Baluns | 500000, 500002, 500009, 500020, 5000021, 500050 |
| Cascadability | Up to two (2) levels. |
| Ground Loop Isolation | Ground loop isolation on every port. |
| Cable – UTP | 24 gauge or lower solid copper twisted pair wire impedance: 100 ohms at 1 MHz. Cat 3 or better. |
| Connectors | Source Input: One (1) RJ45S on rear panel Looping Output: One (1) RJ45S on rear panel Distribution Outputs: Eight (8) or sixteen (16) RJ45S on front panel |
| RJ45 Pin Configuration <i>Reverse Polarity Sensitive</i> | Red (Pr): Pins 7 [R] & 8 [T] Green (Y): Pins 3 [R] & 6 [T] Blue (Pb): Pins 1 [R] & 2 [T] Digital Audio: Pins 4 [R] & 5 [T] |
| LED Diagnostics | Power (green), Video Sync (green), Digital Audio Sync (green): |
| Power Supply | External AC: 110V and 220/240V DC: 12VDC, 1.25A (8-port model) or 2.5A (16-port model). |
| Temperature | Operating: 0° to 40° C. Storage:-20° to 85° C. Humidity: up to 95% non-condensing. |
| Dimensions | 500250/500251: 9.125" x 6.75" x 1.75" (23.18 cm x 17.15 cm x 4.45 cm) 500252/500253: 19" x 6.75" x 1.75" (48.26 cm x 17.15 cm x 4.45 cm) |
| Weight | 500250/500251: 3.3 lbs (1.5 kgs) 500252/500253: 5.5 lbs (2.5 kgs) |
| Compliance | FCC, CE-EMC Directive 89/336/EEC, RoHS, WEEE |
| Warranty | 2 years |
| Order Information | 500250 Component Video Hub, 8 Ports, 110V 500251 Component Video Hub, 8 Ports, 220/240V 500252 Component Video Hub, 16 Ports, 110V 500253 Component Video Hub, 16 Ports, 220/240V |

Typical Application



BAEKDOO INTERSYSTEMS CO., LTD.
TEL 02-579-9126
FAX 02-579-9129
<http://www.baek-doo.com>